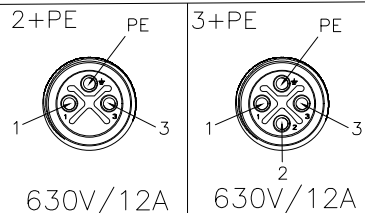


THIS DRAWING AND THE DATA DISCLOSED HEREIN OR HEREWITH IS NOT TO BE REPRODUCED USED OR DISCLOSED IN WHOLE OR IN PART TO ANYONE WITHOUT THE PERMISSION OF JESS-LINK PRODUCTS CO.,LTD.(JPC)

CUSTOMER DRAWING

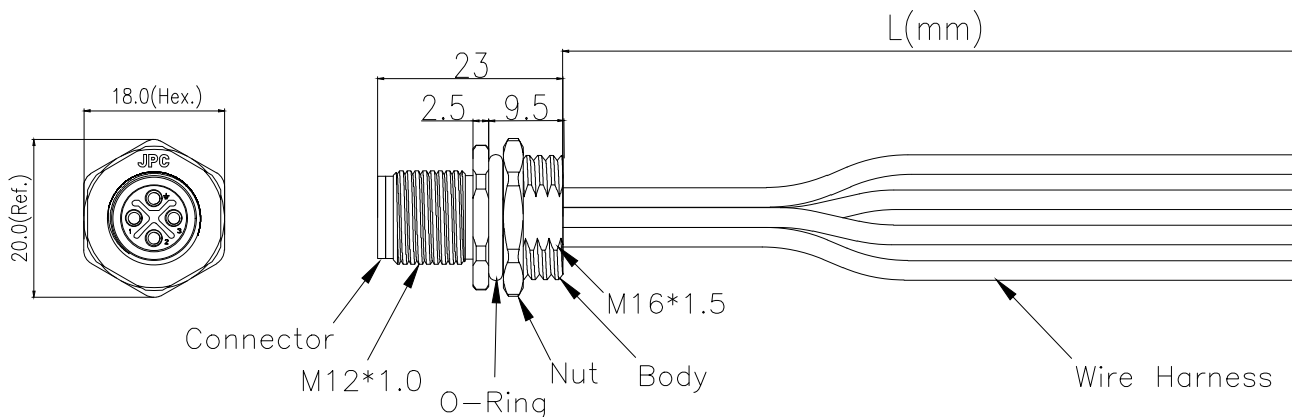
REV.	ECN NO.	DESCRIPTION	MDF'D	APP'D	DATE
01		First Release	Ray	George	07/15/2024

Pin Assignment Front View



Pin Out

Pin	Wire Color	Pin	Wire Color
1	Brown	1	Brown
2	---	2	Black
3	Gray	3	Gray
PE	Green/Yellow	PE	Green/Yellow



Notes:

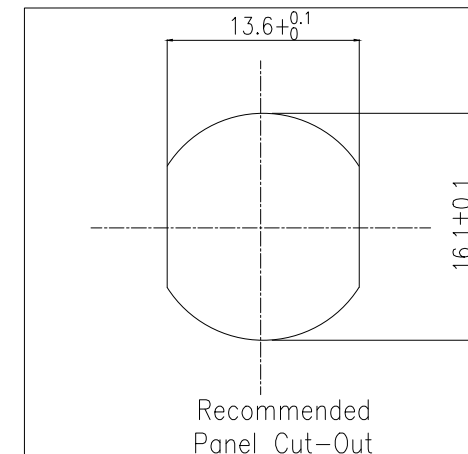
- Connector :
  - Housing : PA66 , Black , UL94V-0
  - Male Pin : Copper alloy , Gold plated
  - O-Ring : Silicone Rubber , Black
  - Body : Zinc Alloy , Ni plated
  - Nut : Zinc Alloy , Ni plated
- Waterproof Rate : IP67 Mated.
- RoHS Compliant
- Wire Harness : UL10070 16AWG
- Wire Length Tolerance :
  - 150mm < L ≤ 300mm : ±15mm
  - 300mm < L ≤ 1000mm : ±20mm
  - 1000mm < L ≤ 1500mm : +50mm/-0mm

P/N:

S-MN12-XXP-MMHS-SR-7BLXX

XX : No. Of Pin

XX : Wire Length  
 10 : 100mm  
 15 : 150mm  
 A0 : 1000mm  
 A5 : 1500mm



Recommended Panel Cut-Out

RoHS COMPLIANT	Unit : mm	PROJECTION	<b>JPC connectivity</b>		
	GENERAL TOLERANCES: (UNLESS SPECIFIED)				
	0 = ±.50	D.R. 07/15/2024	TITLE	M12 S code Male Connector Rear Fastened	PD./FILE NO.
	0.0 = ±.25	CH.K 07/15/2024	SCALE	-	SIZE
0.00 = ±.15	APV.D 07/15/2024	PART NO.	S-MN12-XXP-MMHS-SR-7BLXX	REV.	01
0.000 = ±.05				SHEET	1 OF 1
0 = ±.2					
0.0 = ±.1					